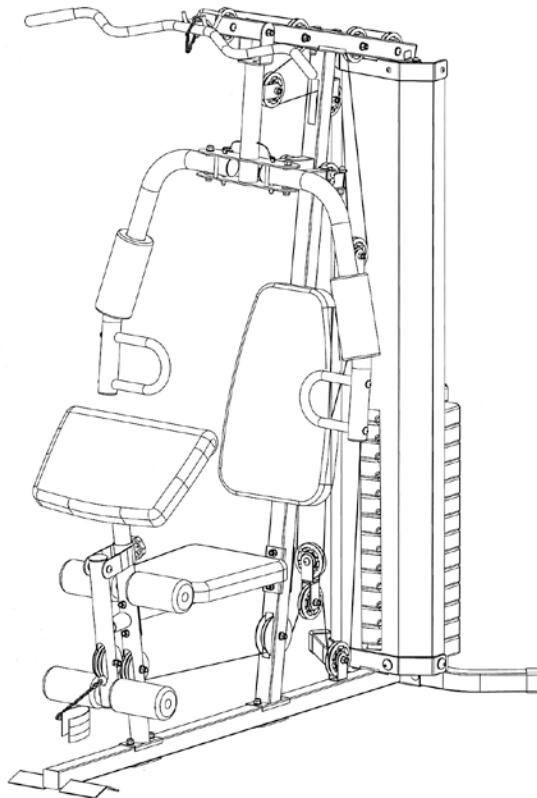


MP EX

F I T N E S S P R O D U C T S

CENTRE D'ENTRAÎNEMENT MARCY® MWM-1001



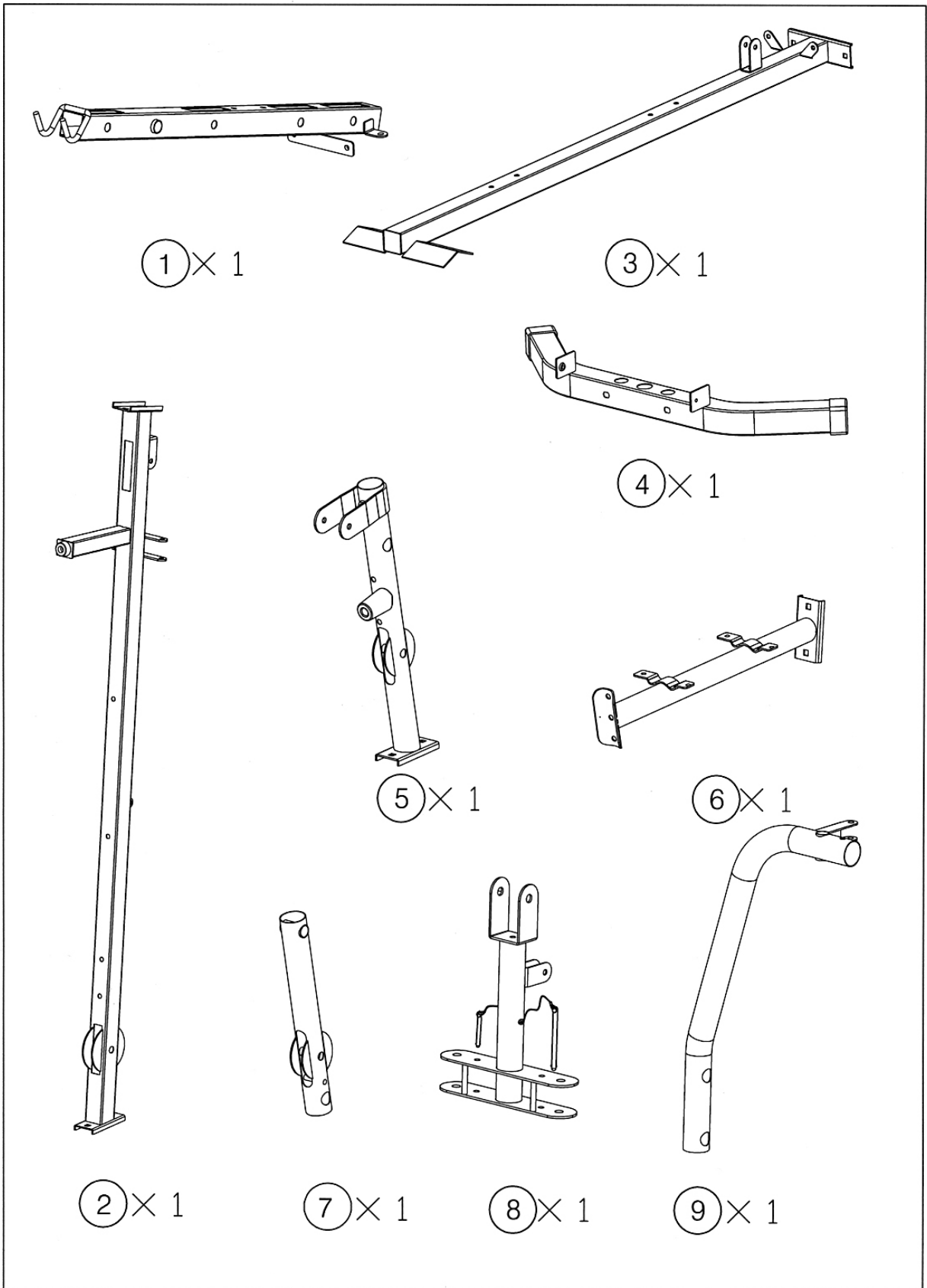
IMPORTANT: Please read the Important Safety Notice and Assembly Information in the Owner's manual before assembling this product.

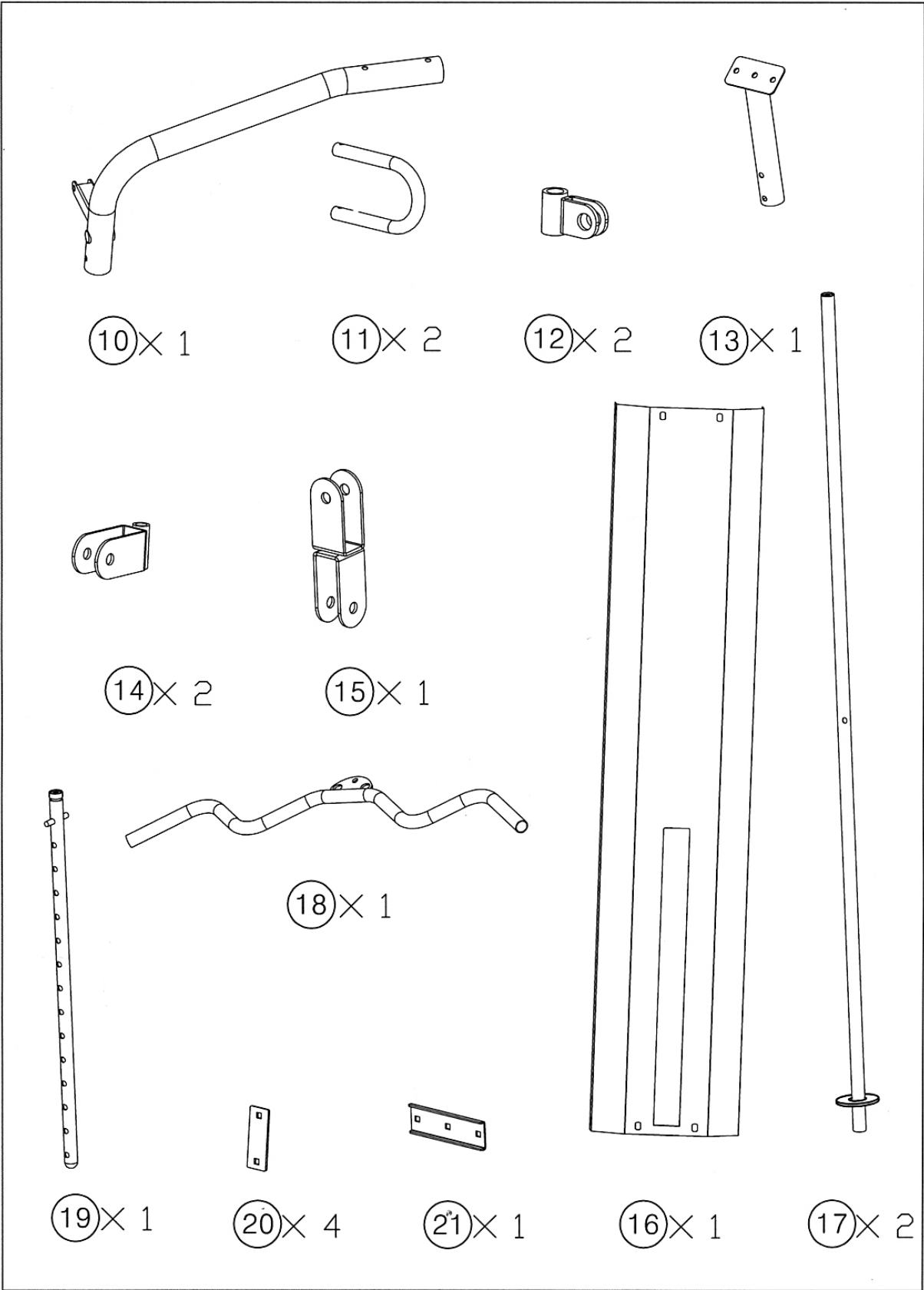
Assembly Manual

ATTENTION! Veuillez lire attentivement l'*Avis de sécurité important* ainsi que le *Mode d'assemblage* dans le Manuel de l'utilisateur avant d'assembler cet appareil.

Guide d'assemblage

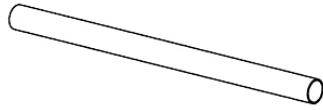
160512



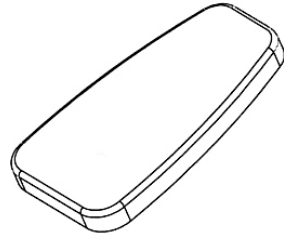




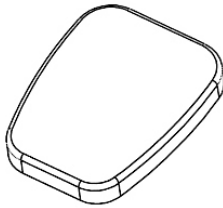
22 × 1



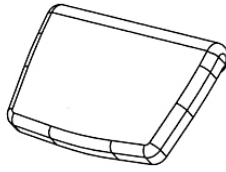
23 × 2



24 × 1



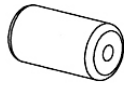
25 × 1



26 × 1



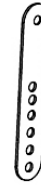
27 × 2



28 × 4



29 × 2



30 × 2



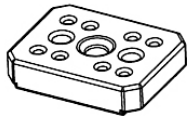
32 × 1



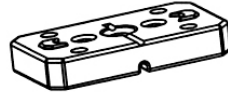
33 × 1



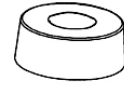
34 × 2



35 × 1



36 × 14



41 × 2



42 × 16



43 × 14



47 × 1



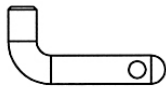
48 × 1



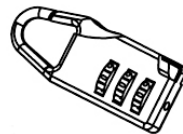
49 × 1



50 × 1



72 × 1



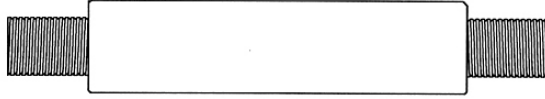
73 × 1



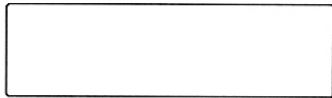
74 × 2



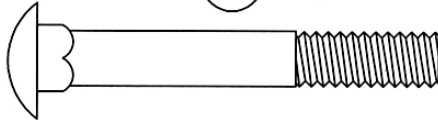
38 × 1



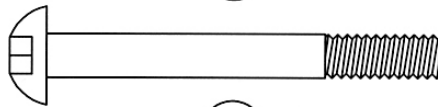
39 × 2



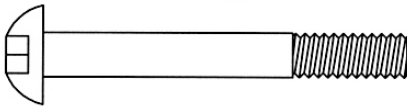
40 × 1



55 × 10



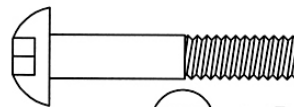
56 × 9



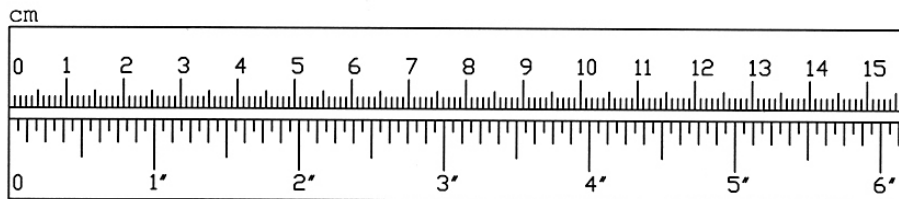
57 × 2

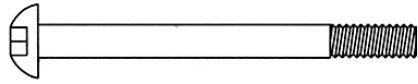


58 × 2



59 × 9

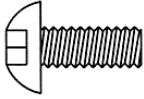




61 × 2



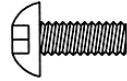
66 × 8



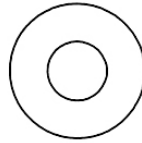
60 × 13



67 × 10

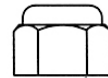
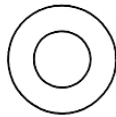


62 × 6



63 × 8

68 × 6

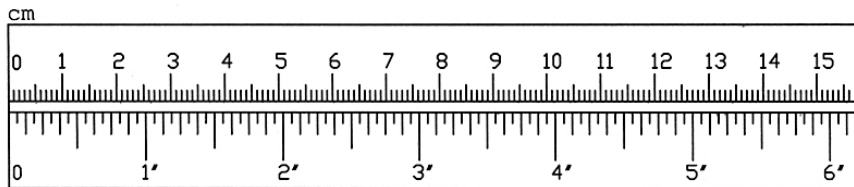
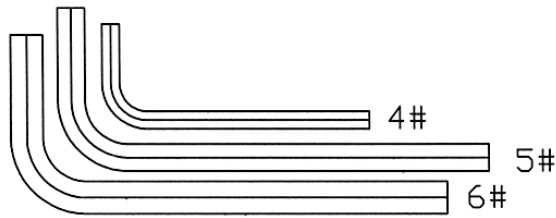


65 × 50

69 × 41



70 × 2



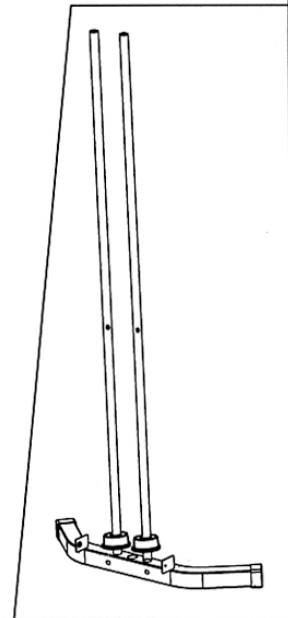
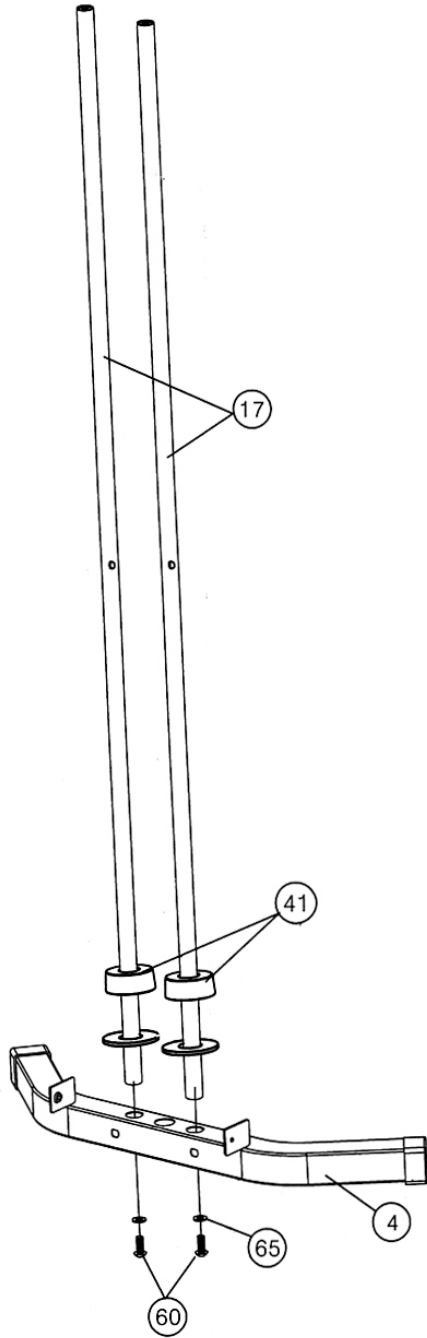
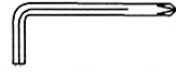
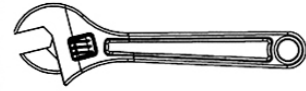
60 X2

65 X2



M10 x 3/4"

Ø 3/4"

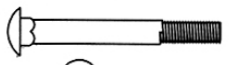


1

55x2

65x2

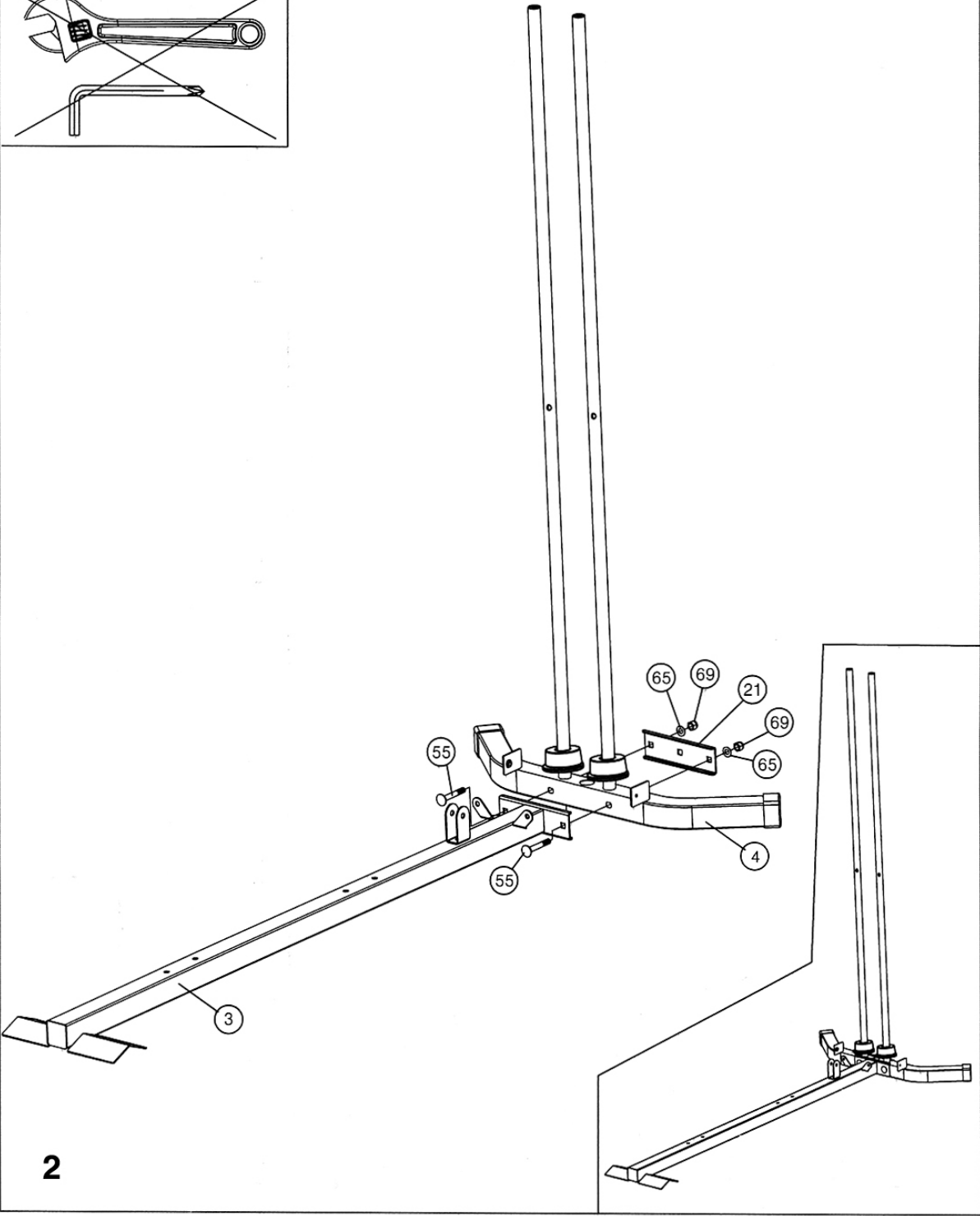
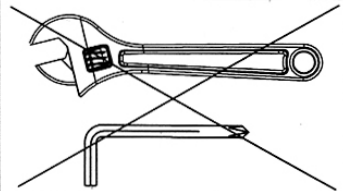
69x2



M10 x 2 3/4"

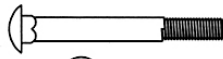
ø 3/4"

M10



2

55x2



M10 x 2 3/4"

65x2

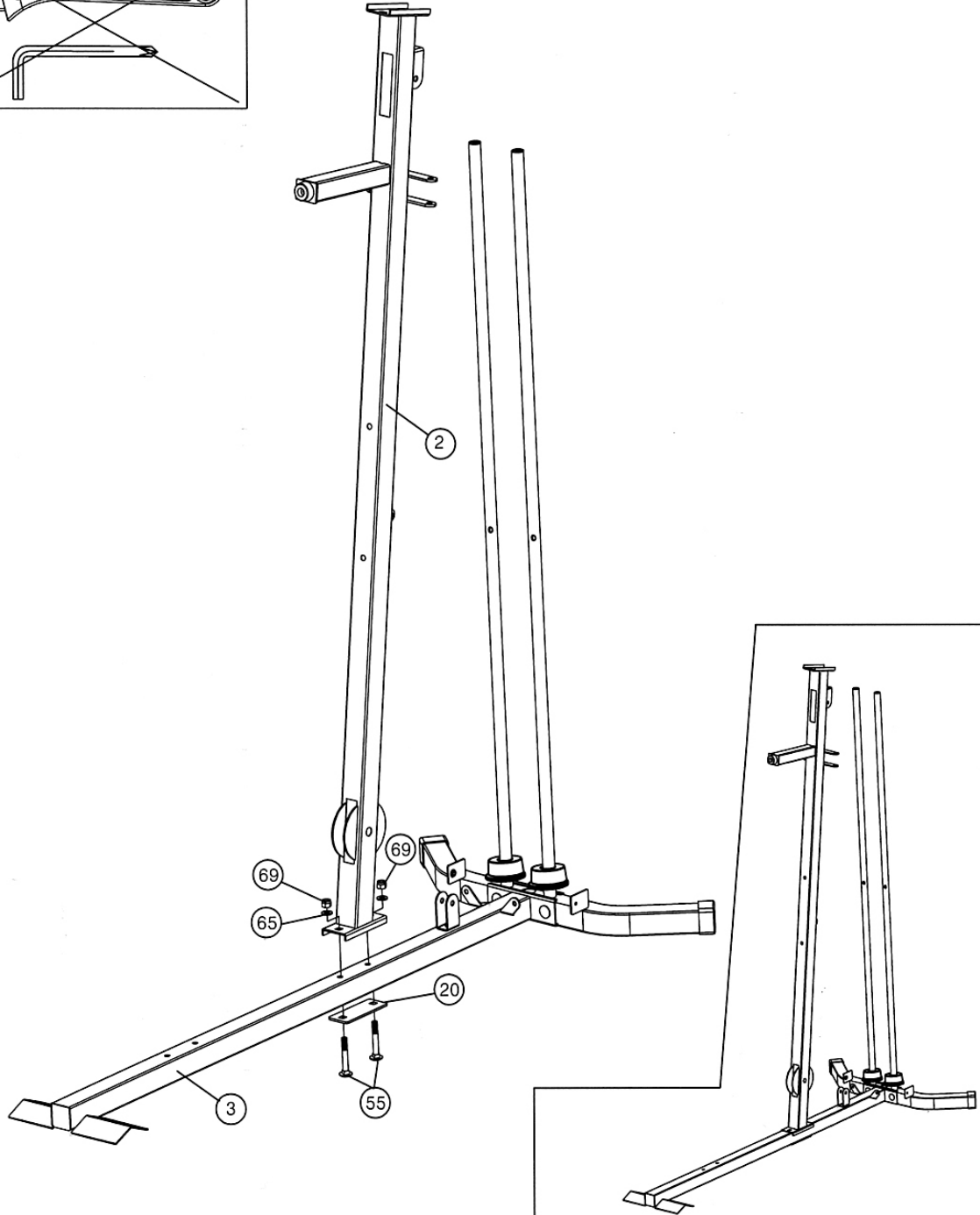
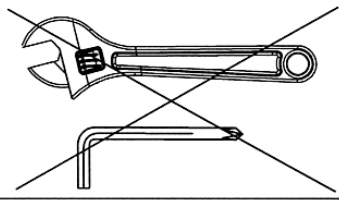


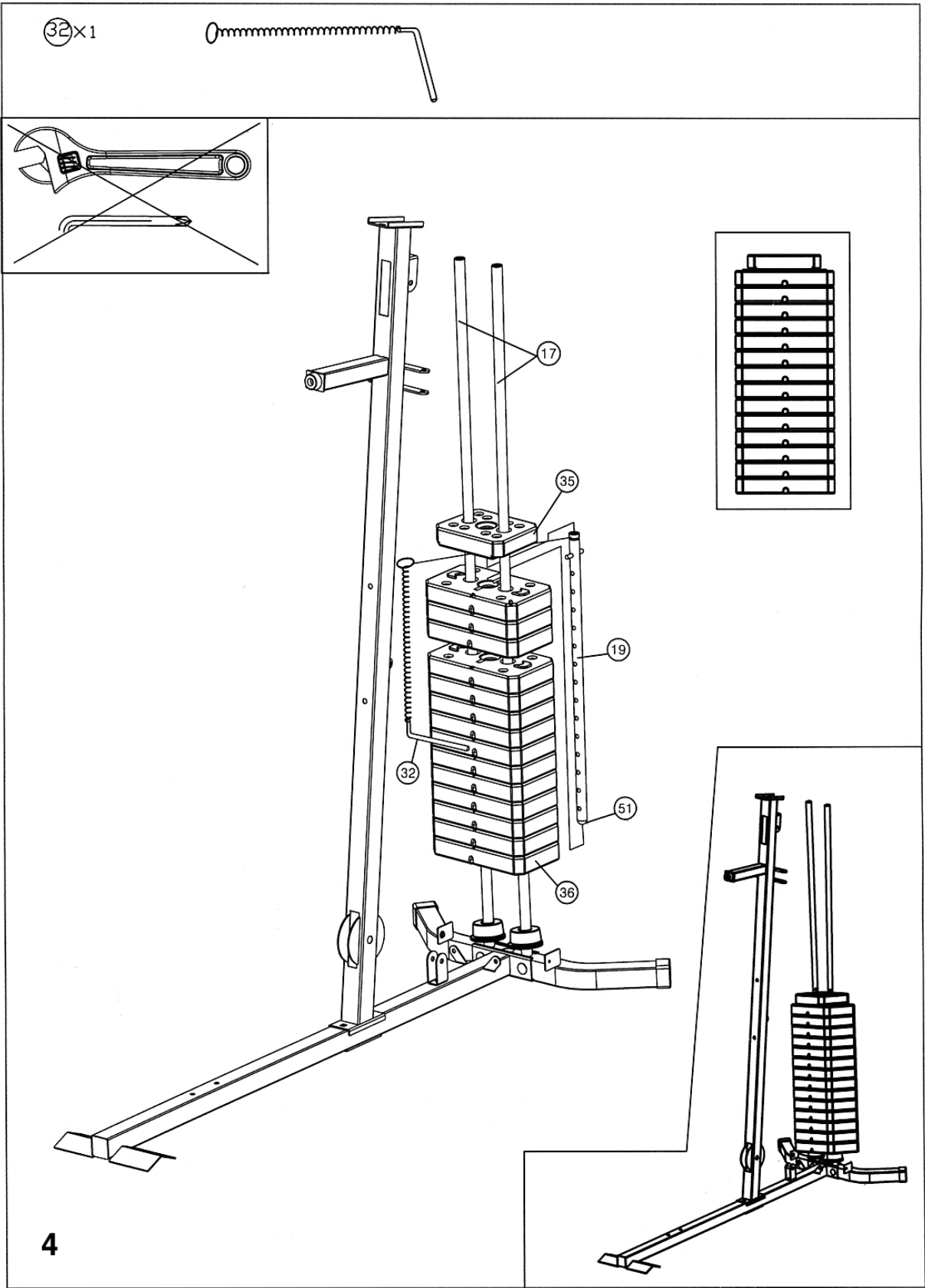
Ø 3/4"

69x2

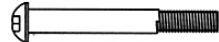


M10



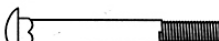


56×2



M10×70mm

59×4



M10 × 2 3/4"

65×8

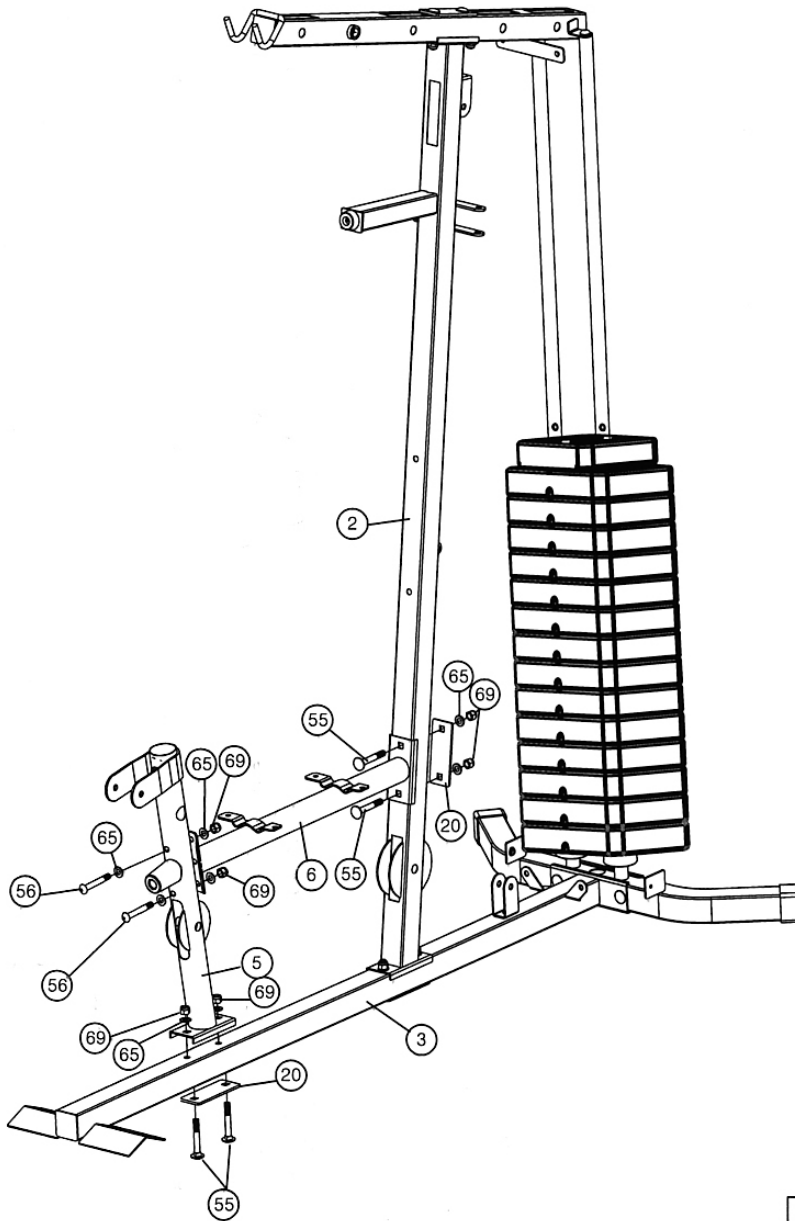
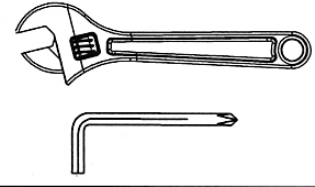


Ø 3/4"

69×6



M10



6

38x1



3"

68x2

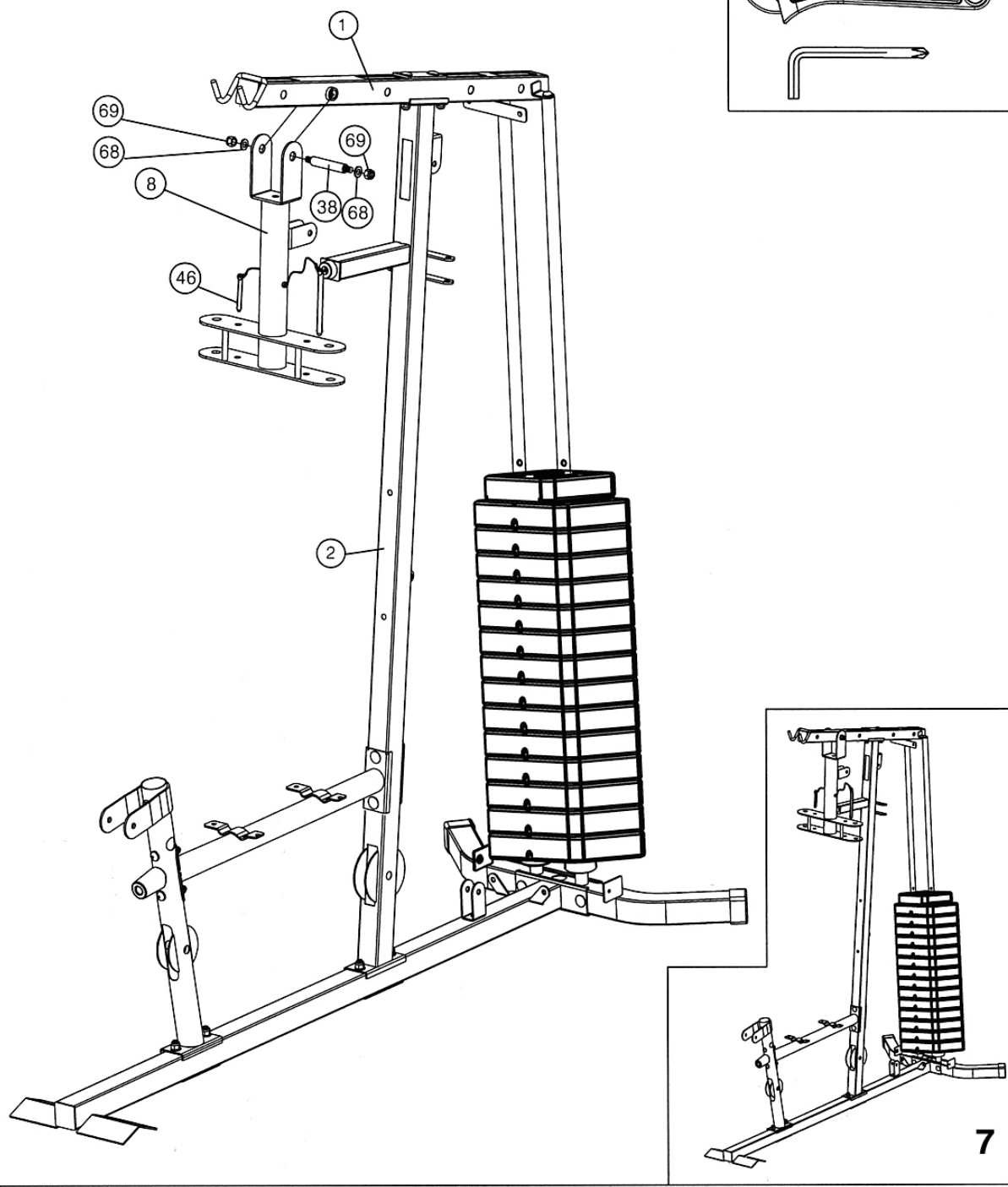
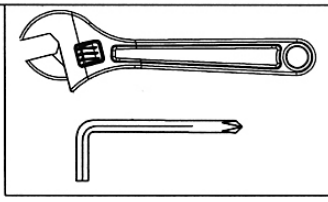







∅ 1" x ∅ 3/8"

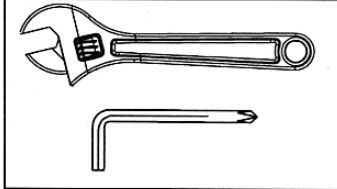
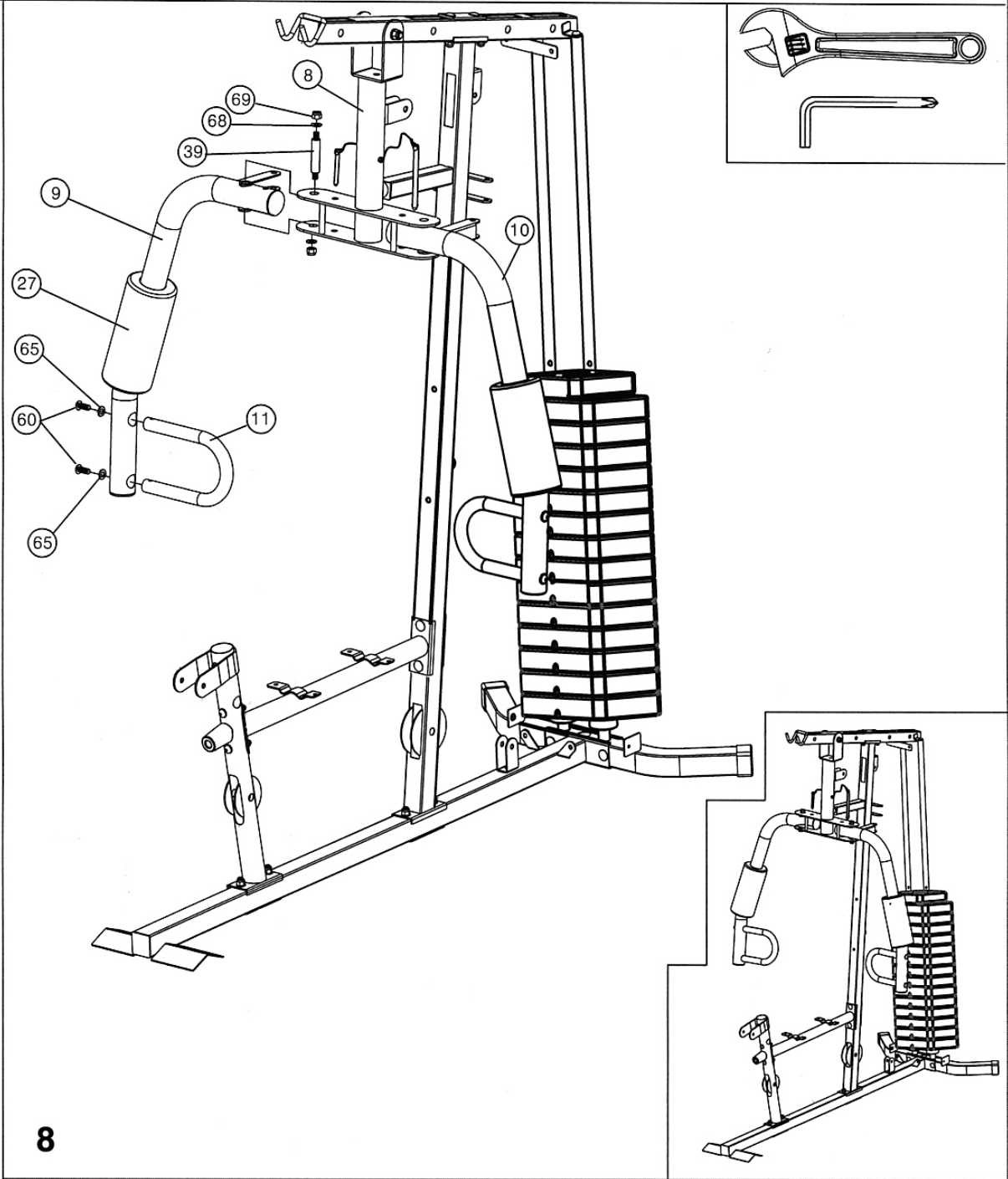
69x2



M10



60×2		M10 × 3/4"
65×2		∅ 3/4"
39×1		2 5/8"
65×2		∅ 3/4"
69×2		M10



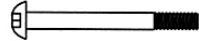
8

62 x 4



M8 x 5/8"

61 x 2

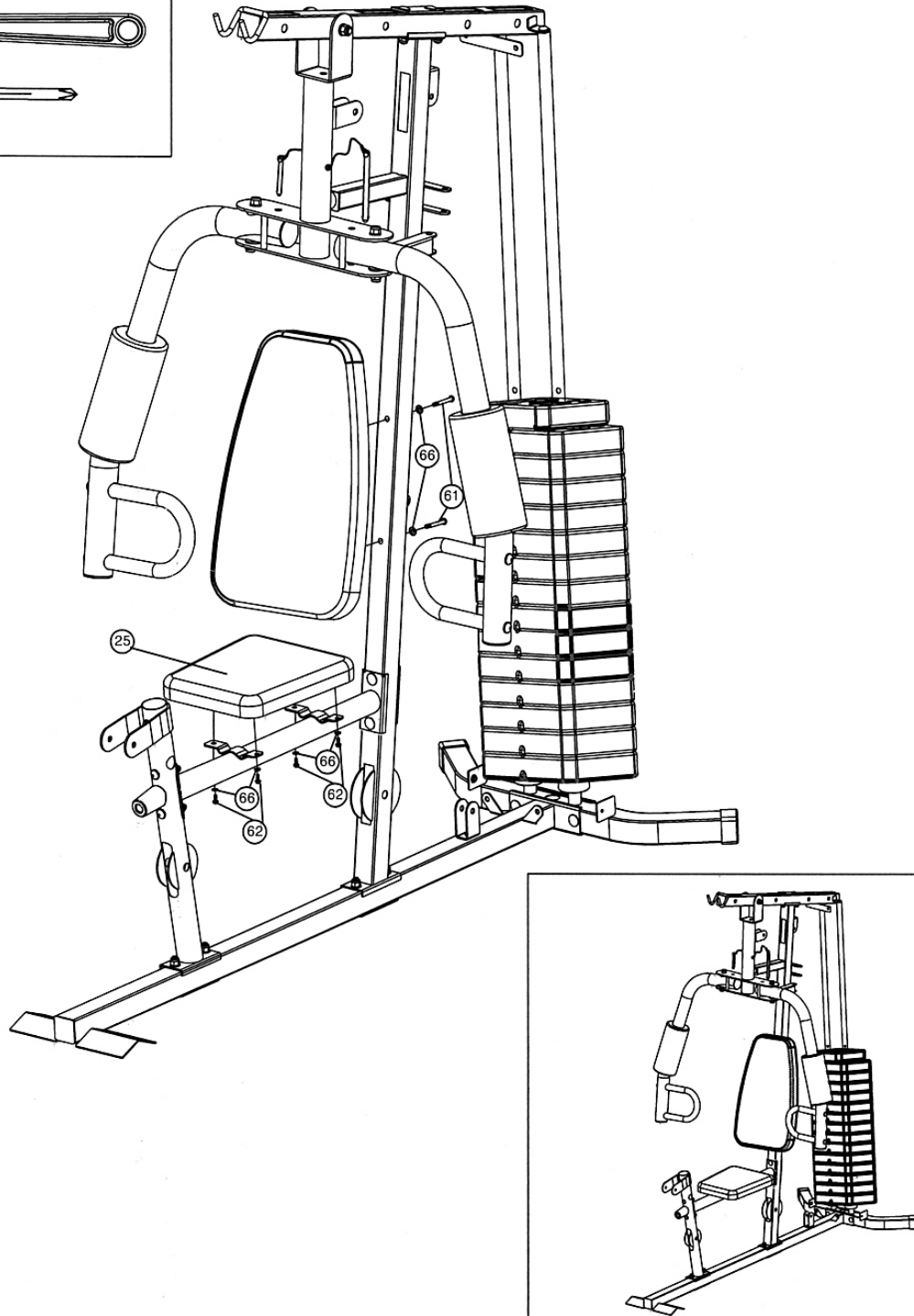
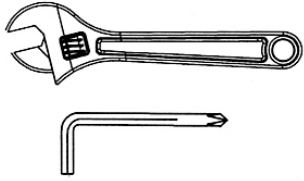


M8 x 2 3/4"

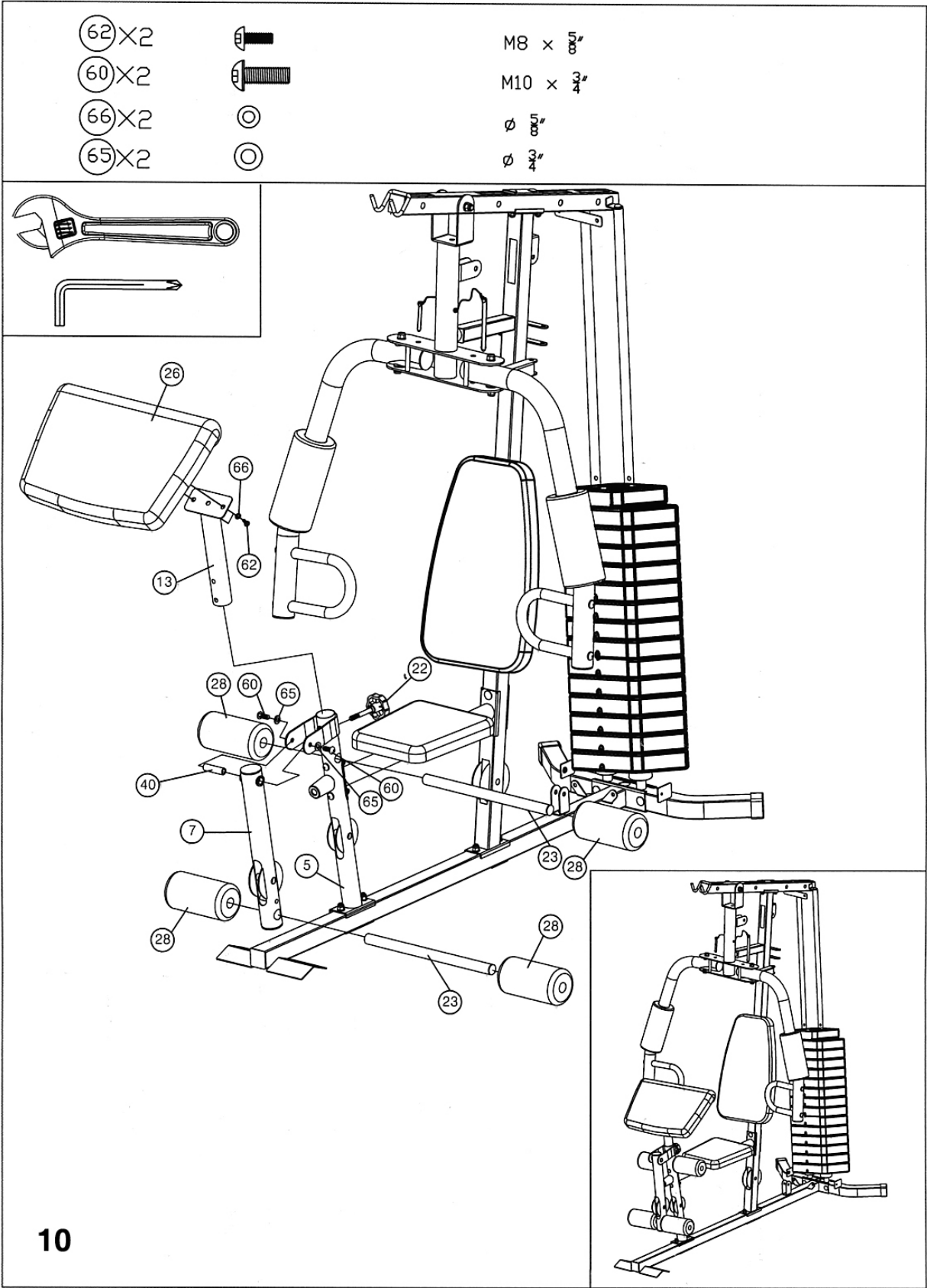
66 x 4



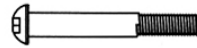
Ø 5/8"



9

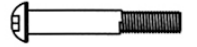


57x1



M10 x 2 1/2"

58x1



M10 x 2"

65x4

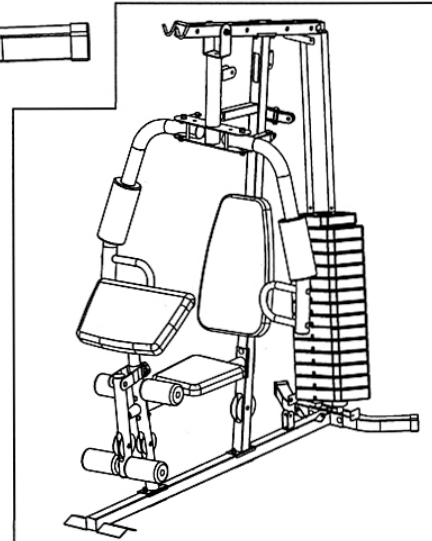
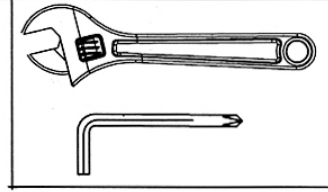
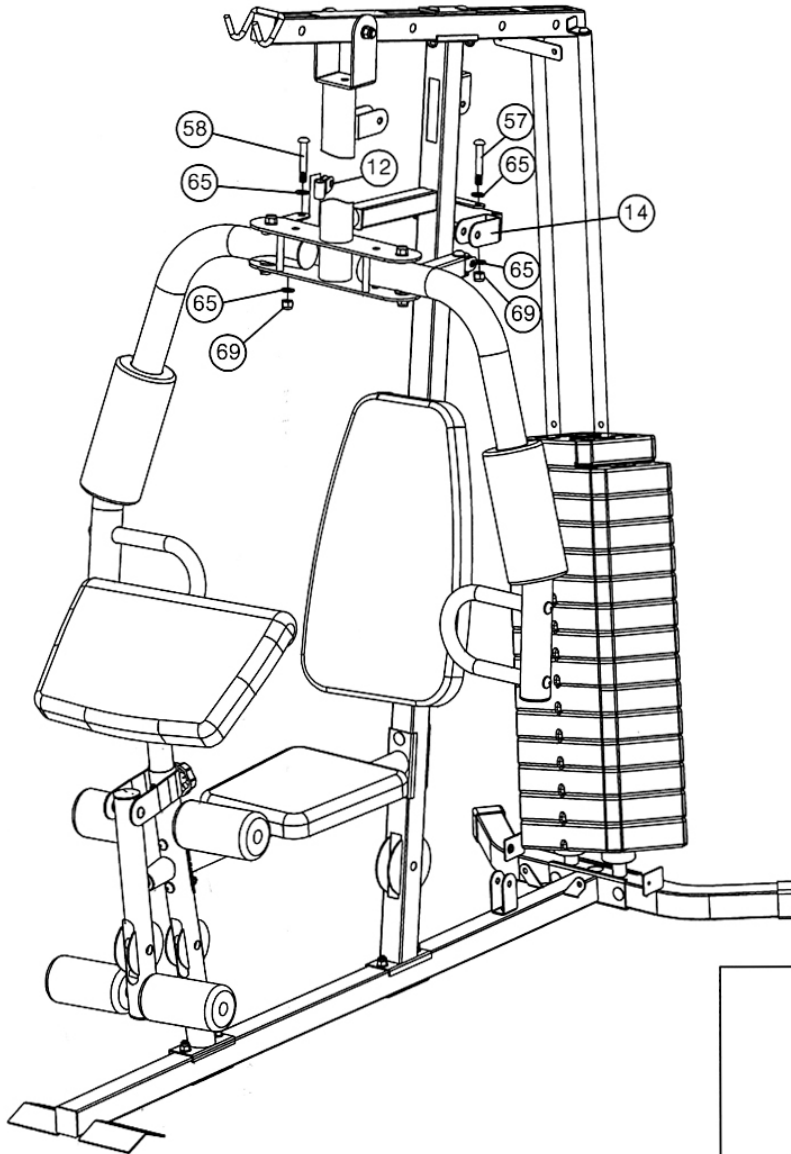


Ø 3/4"

69x2



M10



11

63×8

67×10

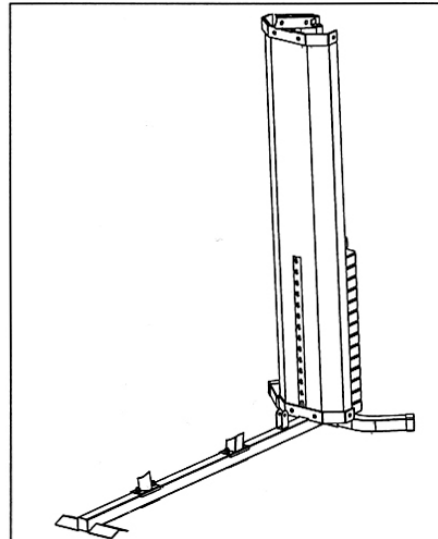
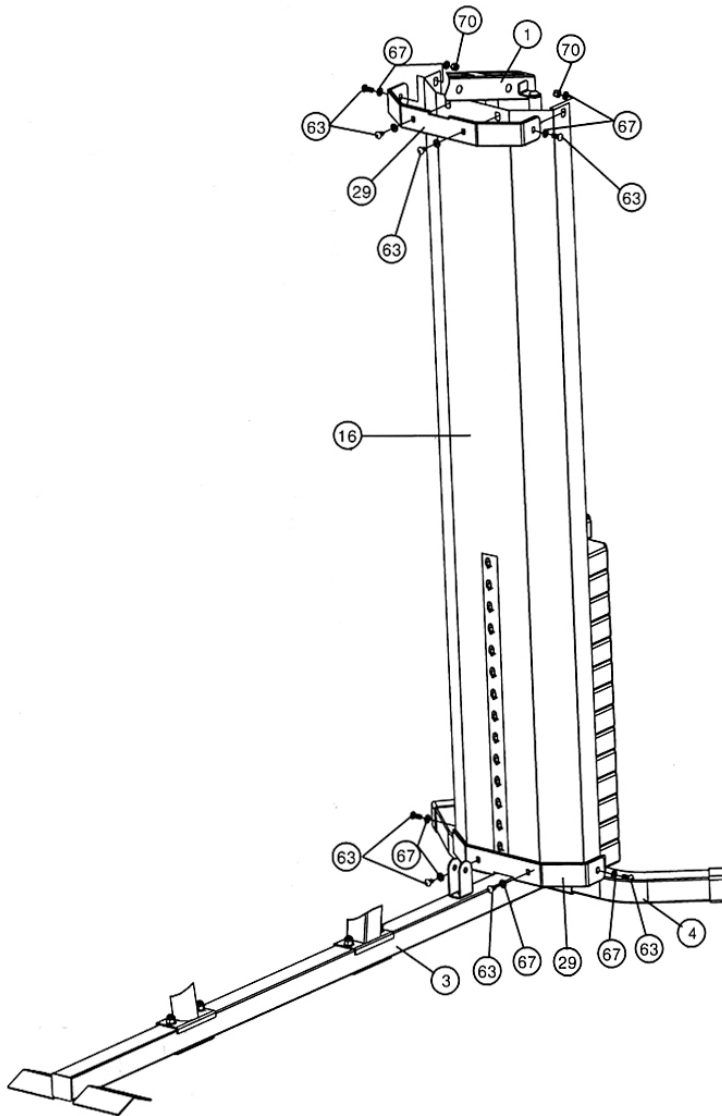
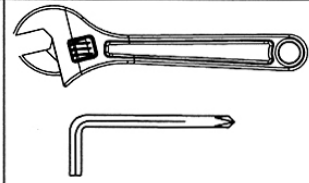
70×2



M6 × 8⁵/₈"

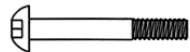
∅ 1/2"

M6



12

56×4



M10 × 2 3/4"

69×7



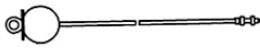
M10

59×3



M10 × 1 3/4"

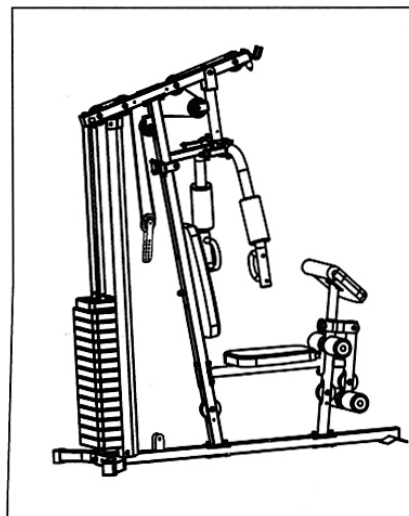
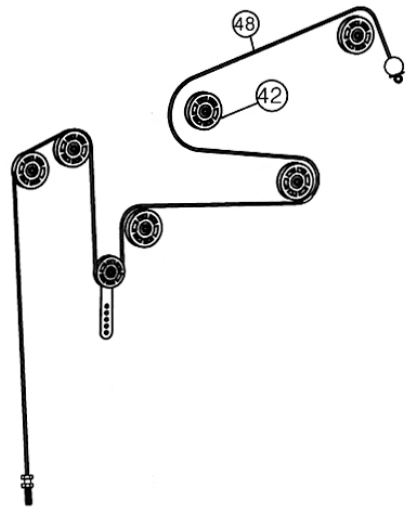
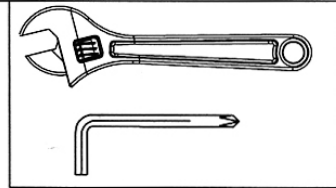
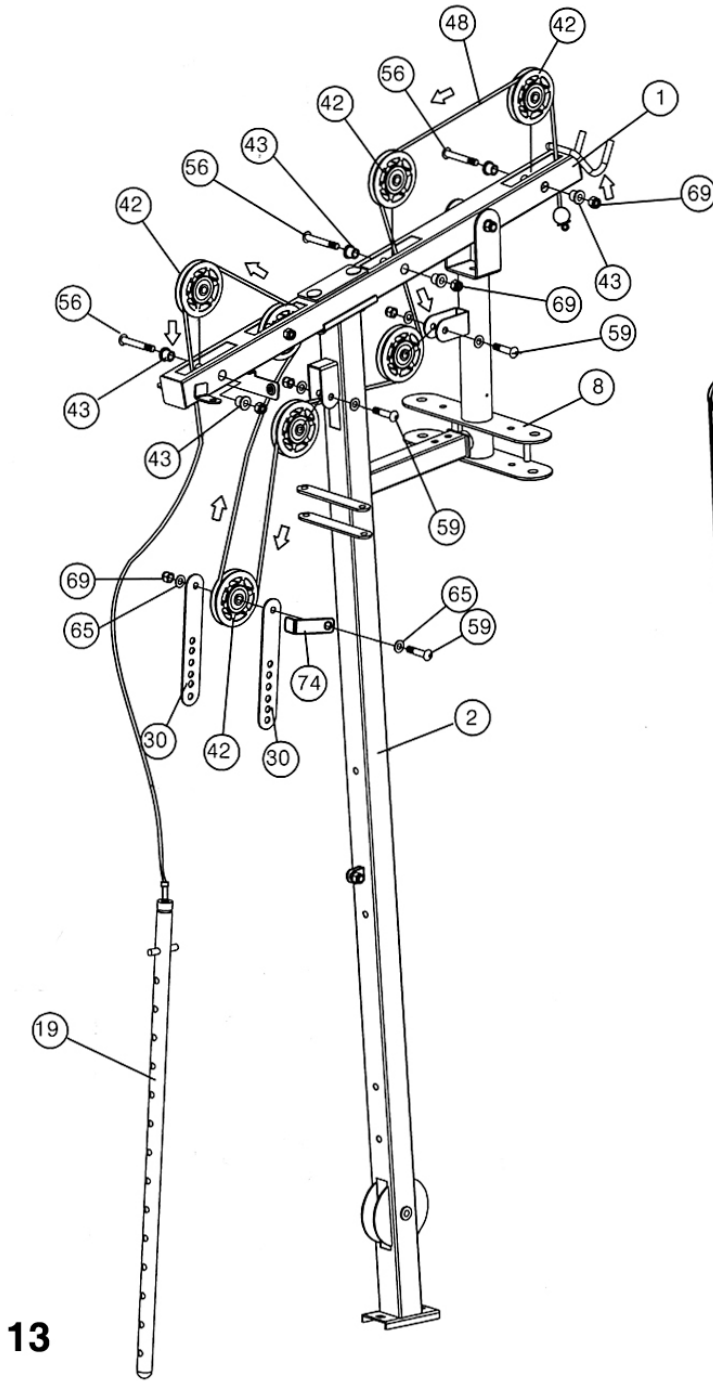
48×1




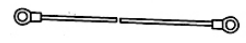



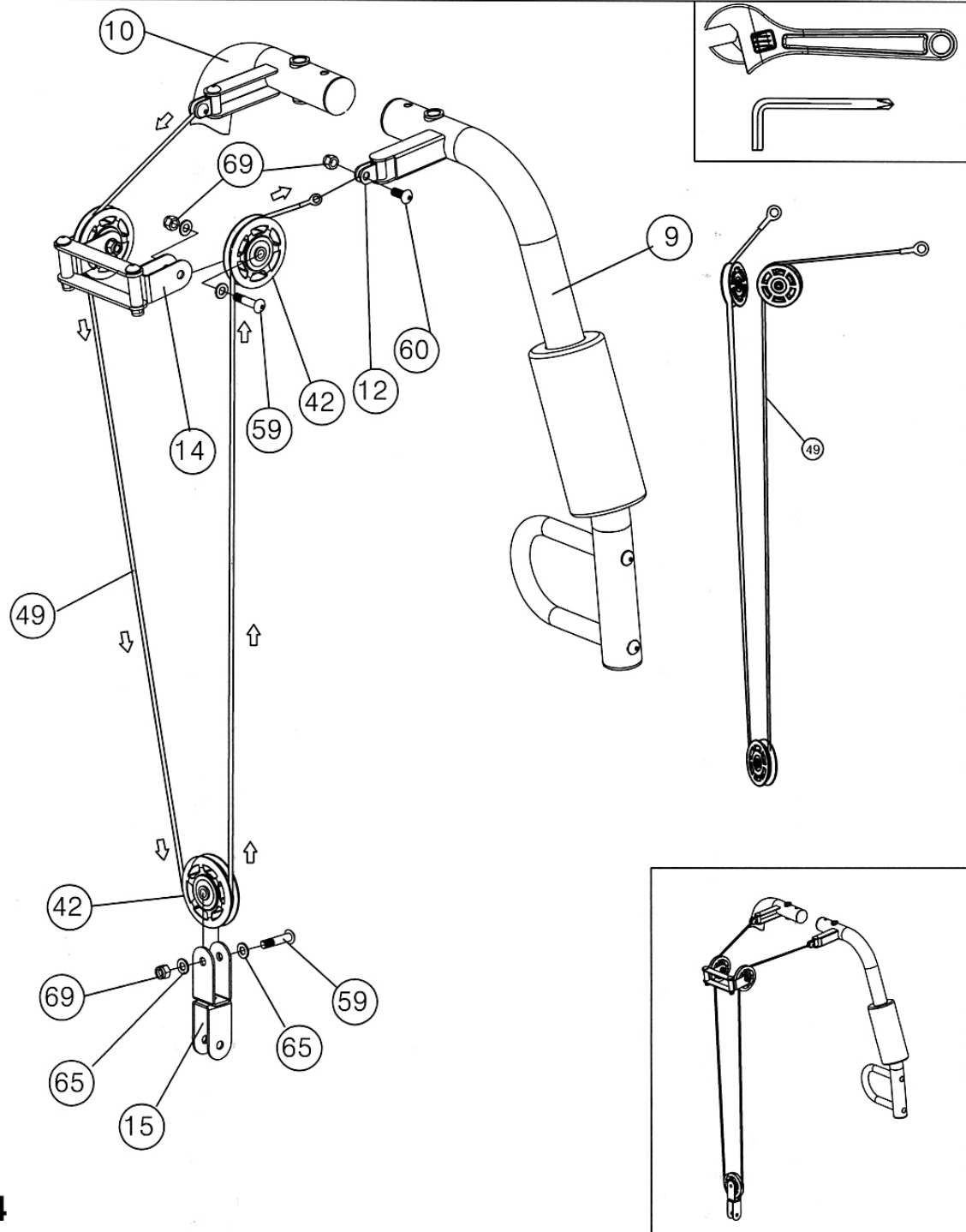
65×6



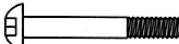


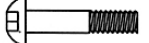


∅ 3/4"

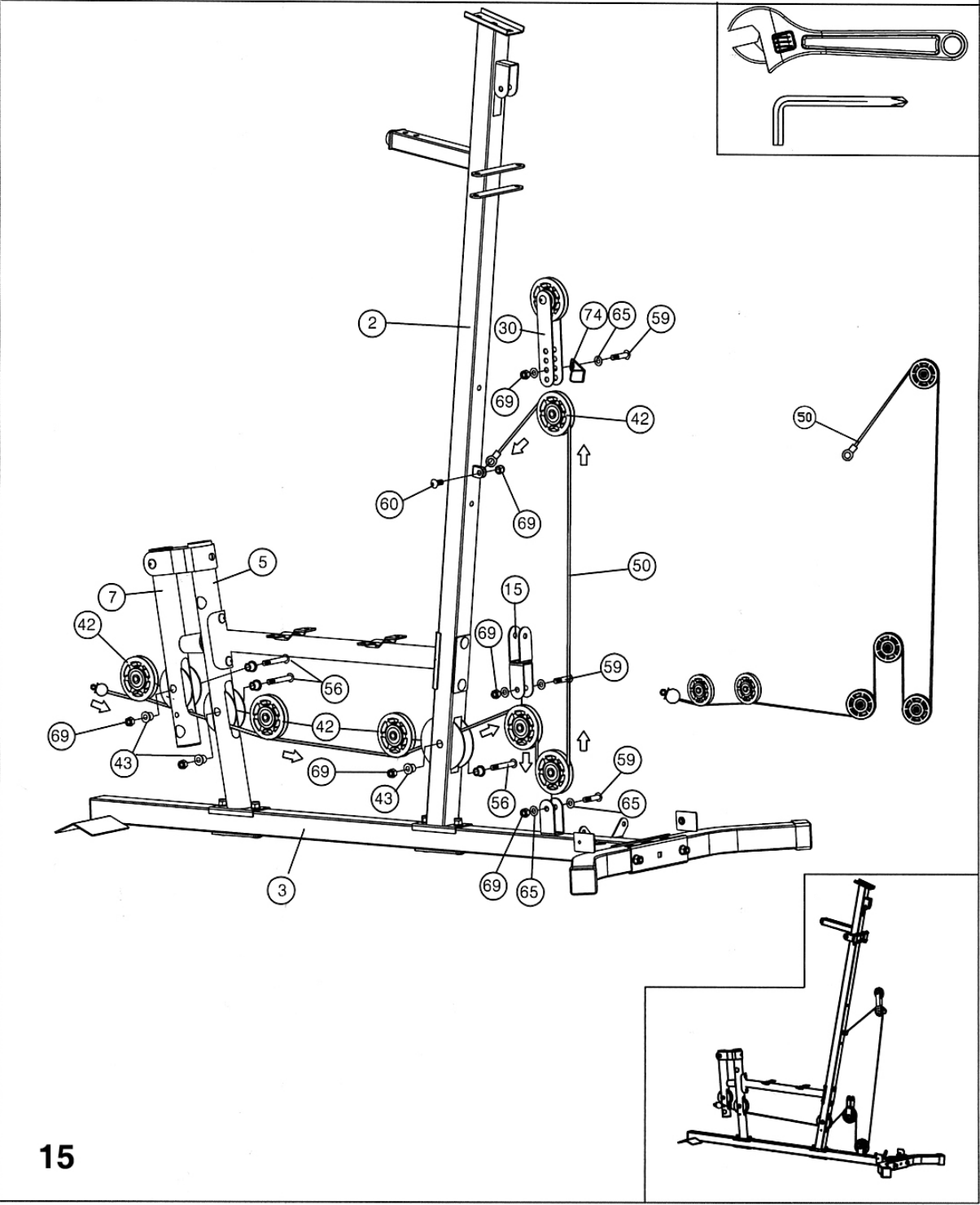


- | | | | | | |
|--------|---|------------|--------|---|--------------|
| (69)×5 |  | M10 | (59)×3 |  | M10 × 1 3/4" |
| (65)×6 |  | ∅ 3/4" | (49)×1 |  | |
| (60)×2 |  | M10 × 3/4" | | | |

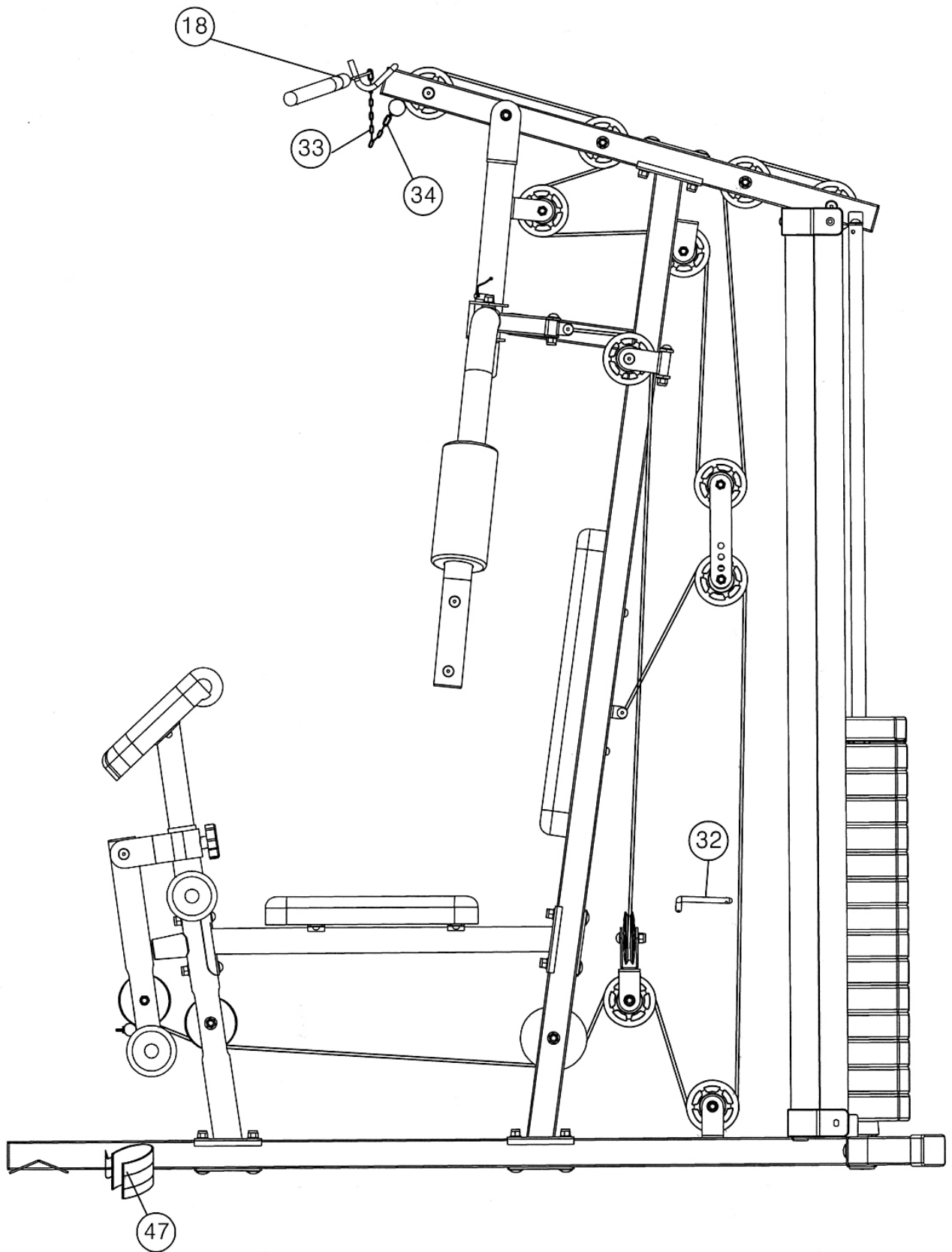


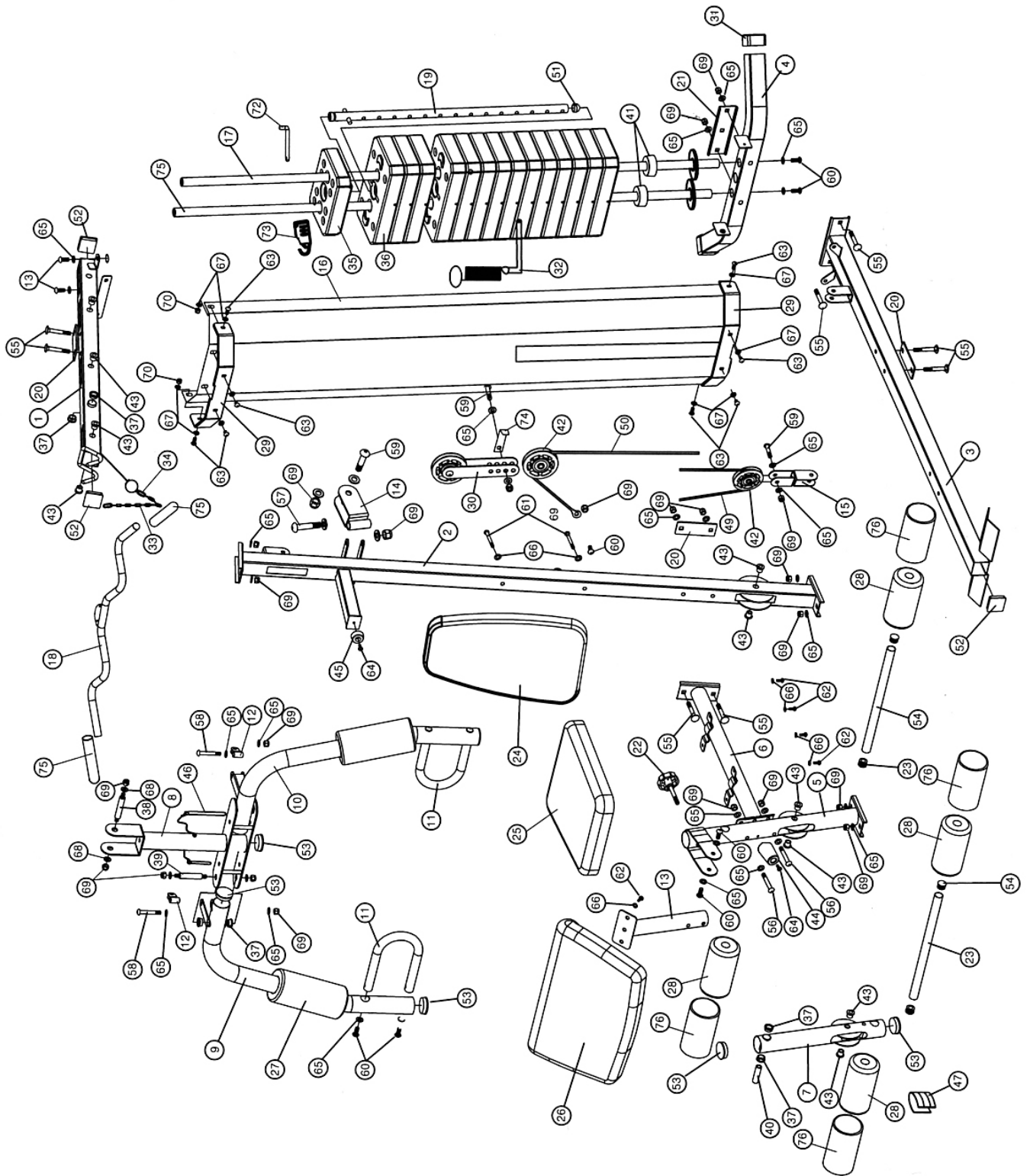
14

(56)×3		M10 × 2 3/4"	(69)×7		M10
(60)×1		M10 × 3/4"	(59)×3		M10 × 1 3/4"
(65)×6		∅ 3/4"	(50)×1		



15





IMPEX[®] INC.

2801 S. Towne Ave. Pomona, CA 91766

Tel: (800) 999-8899

www.impex-fitness.com

info@impex-fitness.com